

Denso R5 Replacement Starters (OSGR) 12 Volt-on Road



195011

12V, CW, 5.0kw, 10T
Gear OD:49.4mm

Replace: 428000-4420

Lester: 19501

FREIGHTLINER,
 INTERNATIONAL,
 KENWORTH, PETERBILT,
 STERLING, CATERPILLAR
 C11, C13, C15 ENGINES

Note: Replace to 39MT, 42MT



195021

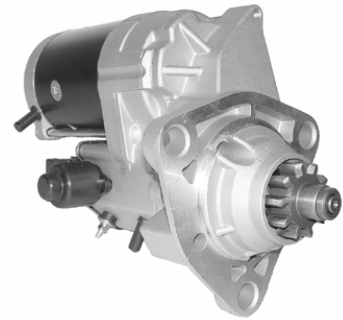
12V, CW, 5.0kw, 10T
Gear OD: 49.3mm

Replace: 428000-4430

Lester: 19502

FREIGHTLINER,
 INTERNATIONAL, KENWORTH,
 MACK, STERLING, VOLVO
 w/CUMMINS M11 AND DDAD 60
 ENGINES

Note: Replace to 40MT, 42MT



195031

12V, CW, 5.0kw, 10T
Gear OD: 49.4mm

Replace: 428000-4440

Lester: 19503

FREIGHTLINER, INTERNATIONAL,
 PETERBILT, VOLVO w/CUMMINS
 ISX, N14 ENGINES

Note: Replace to 40MT, 42MT



195051

12V, CW, 5.0kw, 10T
Gear OD: 49.4mm

Replace: 428000-5190

Lester: 19505

KENWORTH, PETERBILT
 w/CUMMINS ISX

Note: Replace 39MT, 42MT



195061

12V, CW, 5.0kw, 10T
Gear OD: 40mm

Replace: 428000-5430

Lester: 19506

VOLVO VE D12

Note: Replace 39MT, 42MT



195071

12V, CW, 5.0kw, 10T
Gear OD: 49.4mm

Replace: 428000-5730

Lester: 19507

FREIGHTLINER DD60 ENGINE
 2004-ON

Note: Needed When the Fuel Filter
 is Inside the Frame Rail and the Fuel
 Line is Close to the Starter.

All OE company name and part number are for reference purpose only.

Metro Auto Industrial nc.
 2128 Pomona Blvd. Pomona, CA 91768
 Toll Free: 800-263-8761

Tel: (909) 629-2700 Fax: (909) 629-2721
e-mail: info@metroautoinc.com
web: www.metroautoinc.com

Denso R8 Replacement Starters (OSGR) 24 Volt-on Road



195011-24
24V, CW, 8.0kw, 10T
Gear OD: 49.4mm

Replace: 428000-5190

Lester: 19501

KENWORTH, PETERBILT
w/CUMMINS ISX

Note: Replace 39MT, 42MT (24 Volt)



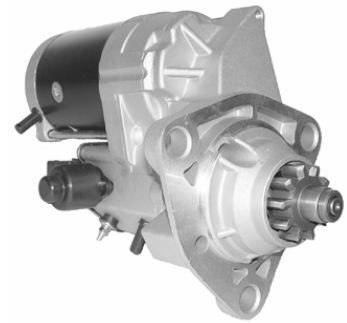
195021-24
24V, CW, 8.0kw, 10T
Gear OD: 49.3mm

Replace: 428000-4430

Lester: 19502

FREIGHTLINER, INTERNATIONAL,
KENWORTH, MACK, STERLING,
VOLVO w/CUMMINS M11 AND
DDAD 60 ENGINES

Note: Replace to 40MT, 42MT (24 Volt)



195031-24
24V, CW, 8.0kw, 10T
Gear OD: 49.4mm

Replace: 428000-4440

Lester: 19503

FREIGHTLINER,
INTERNATIONAL, PETERBILT,
VOLVO w/CUMMINS ISX, N14
ENGINES



195051-24
24V, CW, 8.0kw, 10T
Gear OD: 49.4mm

Replace: 428000-5190

Lester: 19505

KENWORTH, PETERBILT
w/CUMMINS ISX

Note: Replace 39MT, 42MT (24Volt)



195061-24
24V, CW, 8.0kw, 10T
Gear OD: 40mm

Replace: 428000-5430

Lester: 19506

VOLVO VE D12

Note: Replace 39MT, 42MT (24 Volt)

All OE company name and part number are for reference purpose only.

Metro Auto Industrial nc.
2128 Pomona Blvd. Pomona, CA 91768
Toll Free: 800-263-8761

Tel: (909) 629-2700 Fax: (909) 629-2721
e-mail: info@metroautoinc.com
web: www.metroautoinc.com